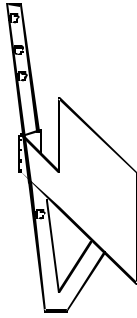
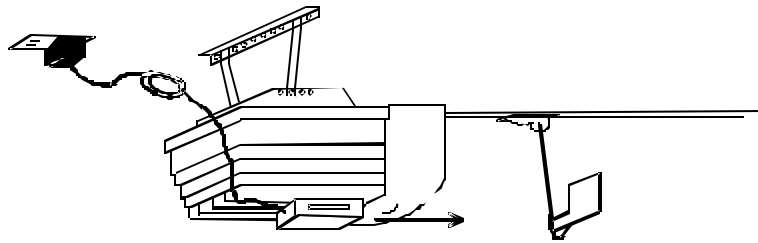


# AutoCloser Quick Installation Guide

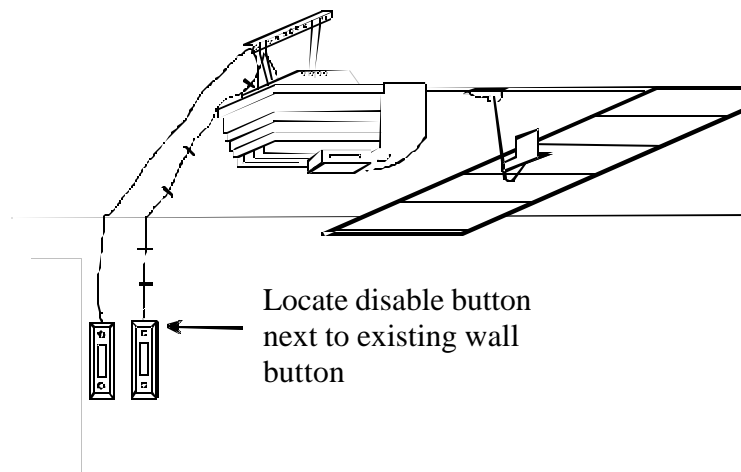
1. Attach reflector to garage door opener J-brace.



2. Attach power adapter to AutoCloser. Mount AutoCloser to bottom of garage door opener with supplied adhesive strips & align with reflector. Connect AutoCloser wires to garage door opener.



3. Run wires from AutoCloser to desired location of disable button and attach disable button to wall.



4. Set AutoCloser delay time to 2, 5, 10, 15 or 20 minutes.
5. Enjoy your AutoCloser!