

The logo for doorMINDER features the brand name in a white, sans-serif font. The word "door" is in lowercase, while "MINDER" is in uppercase. The text is centered within a dark blue rounded rectangle, which is itself set against a larger, irregular yellow shape that resembles a brushstroke or a shadow.

doorMINDER

U.S. Patent Number 7,024,819 B1

INSTALLATION MANUAL AND USER'S GUIDE

Revision 1.52

Doorminder is designed and manufactured by



XCELTRONIX
WHERE IDEAS AND TECHNOLOGY COME TOGETHER



Made in
the
U.S.A.

MEMBER
 **IDA**TM
International Door Association
Enhancing the Value of Door & Access Systems Dealers



NOTE: This equipment has been tested and found to comply with the limits for a Class B digital device, pursuant to part 15 of the FCC Rules. These limits are designed to provide reasonable protection against harmful interference in a residential installation. This equipment generates, uses and can radiate radio frequency energy and, if not installed and used in accordance with the instructions, may cause harmful interference to radio communications. However, there is no guarantee that interference will not occur in a particular installation. If this equipment does cause harmful interference to radio or television reception, which can be determined by turning the equipment off and on, the user is encouraged to try to correct the interference by one or more of the following measures:

- Reorient or relocate the receiving antenna.
- Increase the separation between the equipment and receiver.
- Connect the equipment into an outlet on a circuit different from that to which the receiver is connected.
- Consult the dealer or an experienced radio/TV technician for help.

CAUTION: Any modifications made to the Doorminder without express approval by Xceltronix, Inc. could void the user's authority to operate said equipment.

INTRODUCTION

Congratulations on your purchase of a Doorminder. We are certain that this little black box will give you peace-of-mind knowing that your garage or shop door will close if you inadvertently leave it open. The Doorminder works with your existing garage door opener and incorporates the latest micro-controller technology, infrared light sensor, and advanced software algorithms to deliver a safe and reliable product.

The Doorminder functions by continuously monitoring the garage door position. When the device senses that the garage door is open, the device starts a software timer. When the timer completes its count, the Doorminder warns of the impending garage door closure then shuts the garage door. The operation of the garage door is achieved by connecting the device to the garage door opener wall button terminals. This enables the device to simulate the depression of the garage door opener wall button. The closing sequence can be cancelled by pressing the disable button (before the audible warning is given), or by pressing the disable button twice if the audible warning is sounding.

PRE-INSTALLATION CHECK LIST

1. **Verify that your garage door opener complies with the latest government safety requirements.** The Consumer Products Safety Commission (<http://www.cpsc.gov>) has information on the latest garage door opener requirements mandated by Congress. Garage door openers installed after 1991 are required to have a properly working reversing mechanism. If this feature does not work on your system, your door could close on an object such as a child or car and cause severe injury or damage. Garage door openers installed after 1993 are required to have a photo eye mechanism. Unlike the reversing mechanism attached to the door, nothing has to physically touch the door before it reverses. Once the invisible beam from the photo eye is broken, the door reverses automatically. If your garage door does not have these government required safety features, replace or update your garage door opener with a compliant model before installing the Doorminder. The Doorminder has an audible buzzer to indicate that the door is about to close. While this is intended to increase the safety of the system, this feature is not intended to replace the auto reversing safety features that are required on all garage door openers.
2. **Xceltronix, Inc. urges you to re-read your garage door opener installation and maintenance manual.** Perform routine maintenance and a safety inspection based on the recommendations of the garage door opener manufacturer. Test the auto-reversing and photo eye safety features.
3. **You need a 110 Volt power outlet available.** The outlet should be no

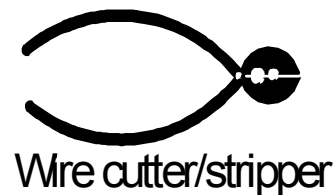
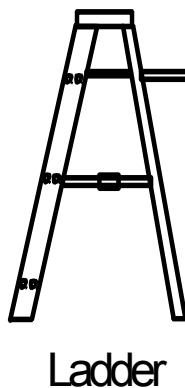
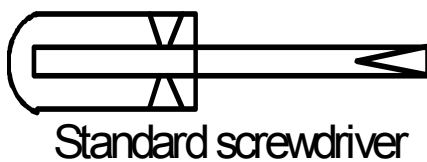
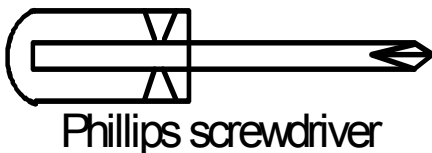
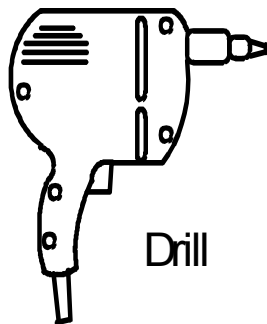
more than about 4 feet from the garage door opener power head.

!!!WARNING!!!

DO NOT USE AN EXTENSION CORD! Extension cords can cause dangerous overheating conditions and are a fire hazard!

- Instruct all family members, especially children, about the potential dangers of a garage door opener.** A garage door is the largest moving object in your house. All family members should be instructed to use caution around it. Never stand or play under the door, and never race underneath the door as it closes. Keep all body parts away from the garage door opener track and drive mechanisms.

TOOLS RECOMMENDED



PARTS LIST

<u>Item</u>	<u>Description</u>
1)	1 terminal wire 2ft.
2)	2 25 ft. sections of wire. Disable and air switch / motion detector wire (air switch / motion detector wire is optional)
3)	1 Reflector assembly
4)	Power adaptor
5)	Velcro® fasteners, 2 each- hook and loop strips
6)	1 Nut
7)	1 Bolt
8)	1 Disable button
9)	2 Disable button wood screws
10)	1 Lock washer
11)	1 Air hose plug (optional)
12)	1 10-20 ft. section of rubber air treadle hose (optional)
13)	1 Exterior normally closed air switch or one motion detector (optional but required for normal operation)
14)	1 Doorminder control unit
15)	Conspicuity tape

Note: Items (1) and (2) may be supplied as a single spool of wire. Cut the required length of wire for item (1) from the spool of wire.



PARTS IDENTIFICATION

NOTE: Parts 11, 12, 13a, and one spool of part 2 are the air switch parts. Parts 13b and one spool of part 2 are the motion detector parts. The air switch and the motion detector parts are optionally supplied. Either the air switch or the motion sensor components are required for normal operation and must be supplied by either Xceltronix or a professional garage door supplier.

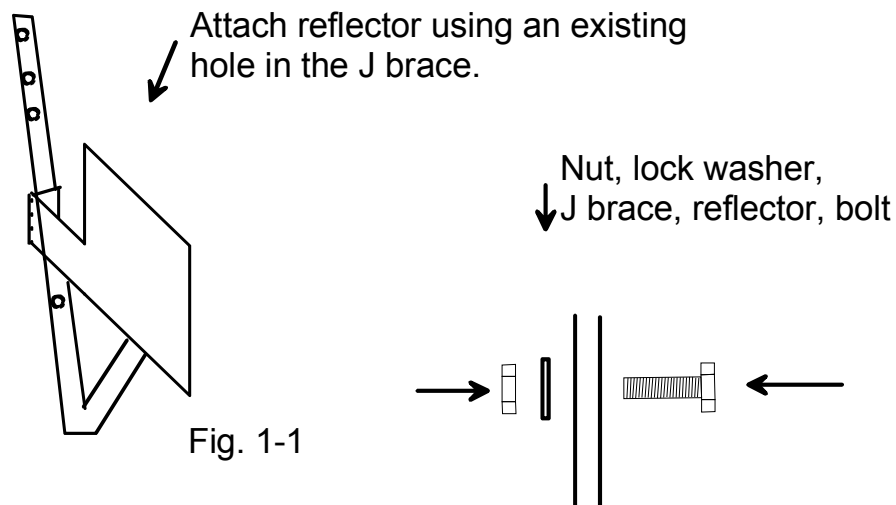
INSTALLATION OF Doorminder *HARDWARE*

!!!WARNING!!!

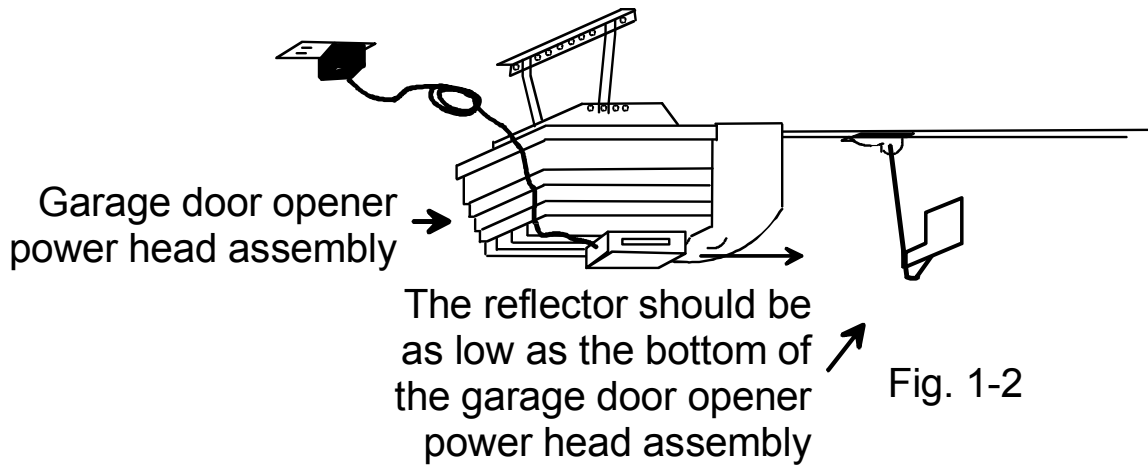
To reduce the risk of severe injury or death, read all instructions before installing.

1. Install reflector assembly.

1a. OPEN YOUR GARAGE DOOR AND UNPLUG THE GARAGE DOOR OPENER BEFORE BEGINNING THIS STEP !!! Bolt the reflector assembly, Item (3), to the garage door opener J brace (**Fig. 1-1**).



TIP: In steps 3 and 4, the Doorminder control unit will be installed under the garage door opener power head assembly. The infrared sensor will be lined up with the reflector (Fig. 1-2) Install the reflector low enough on the J brace so that the infrared sensor on the Doorminder can be lined up with the reflector.



1b. **Attach reflective conspicuity tape to reflector plate.** Peel off adhesive backing from the conspicuity tape and affix to side of reflector plate facing the Doorminder unit. Tape should be aligned to cover most of the rectangular portion of reflector plate. (**Fig. 1-3**).

NOTE: Conspicuity tape is a special form of reflective tape which will improve the reflective characteristics of the plate. The application of this tape will simplify the installation and enhance the performance of the unit.

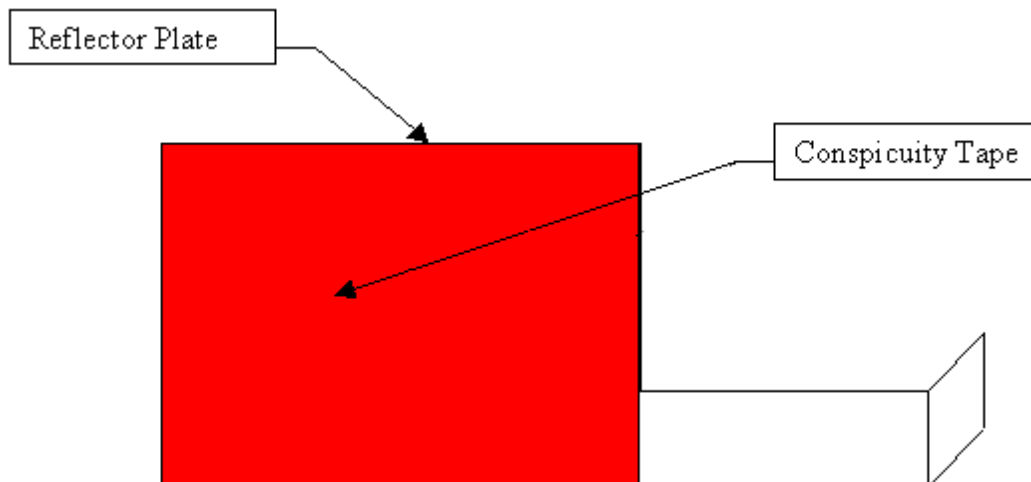
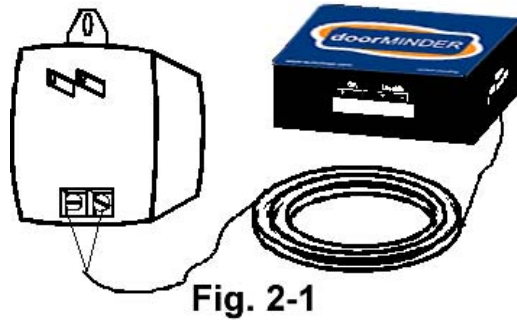
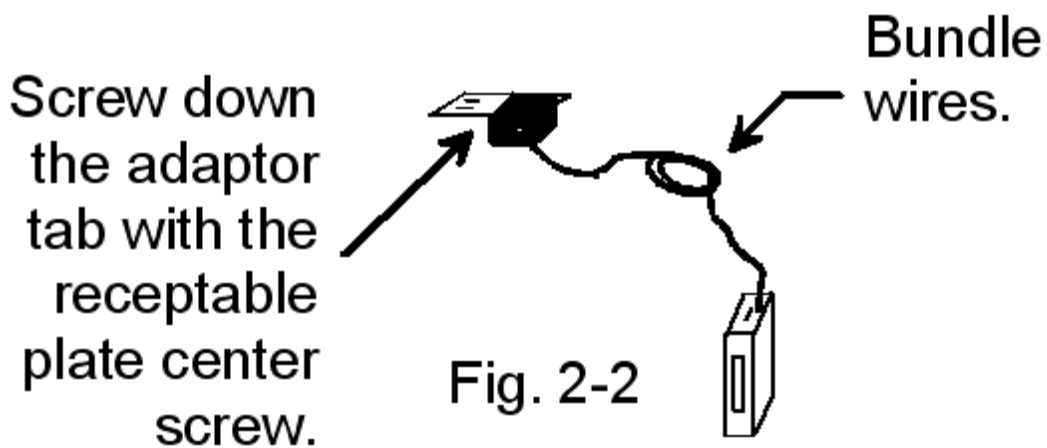


Fig. 1-3

2. **Connect power to the Doorminder.** The Doorminder uses a 110 Volt AC / DC power adapter. Attach each power wire to one of the screw terminals on the power adapter. (**Fig. 2-1**) Either wire may be attached to either terminal.



Unscrew the center screw on the plate of the household receptacle that you will be using to power the Doorminder. With the plate held in position, plug the Doorminder power adapter into the receptacle. Use the receptacle plate screw to screw down the adapter tab. (**Fig. 2-2**)



!!!WARNING!!!

THE POWER ADAPTER MUST BE SCREWED DOWN TO PREVENT THE ADAPTER FROM BEING ACCIDENTALLY UNPLUGGED. THIS ADAPTER IS HEAVY AND CAN CAUSE BODILY INJURY IF IT HITS SOMEONE. !!! Bundle excess wire in a roll and apply a twist tie to prevent it from hanging down and becoming an obstruction.

3. **Determine the Doorminder mounting location.** The Doorminder uses an infrared emitter/detector to determine the position of the garage door. Note the position (**Fig. 3-1**) of the infrared sensors. To ensure correct operation, the Doorminder unit must be no more than 36 inches from the reflector plate when the door is fully open.

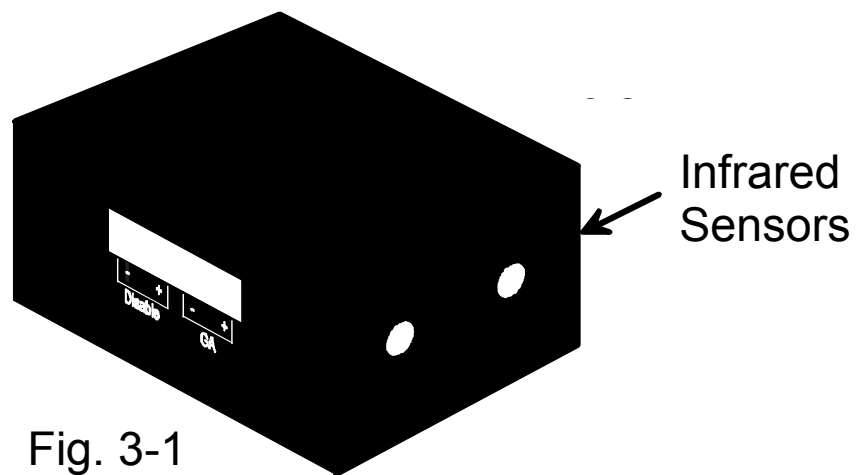


Fig. 3-1

The Doorminder must be mounted in a position with the infrared port aimed straight toward the reflector. **(Fig. 3-2)** In order to accomplish this on all of the different shaped garage door openers available, the Doorminder box will always be mounted to the power head assembly.

TIP: The Doorminder will need to be mounted at least 2 inches left or right of the center of the garage door opener to facilitate lining up the box and reflector.

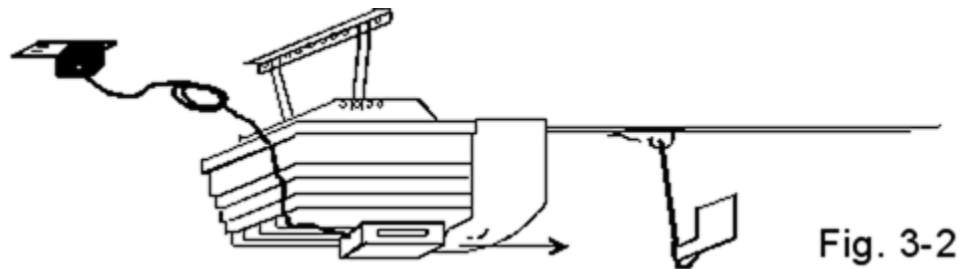


Fig. 3-2

Position the Doorminder on the garage door opener motor housing with the label side down.

The infrared sensor should be in line with the reflector.

Switch the Doorminder to setup mode using the ON/OFF/SETUP switch on the back of the Doorminder unit. **(Fig. 3-3)**

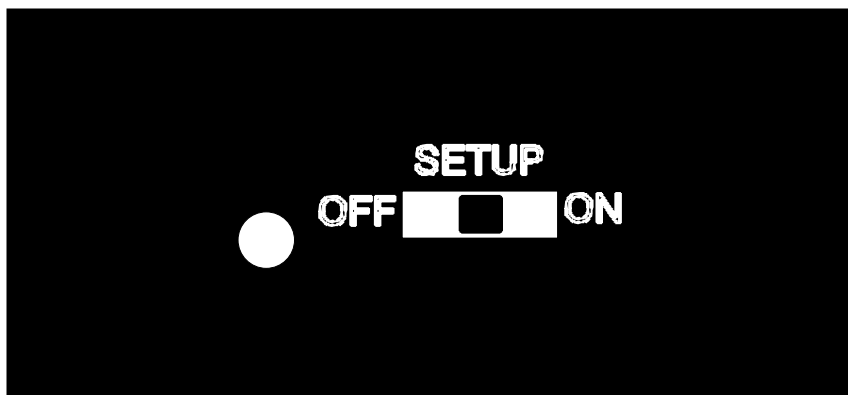


Fig. 3-3

Determine your mounting location by holding the Doorminder unit against the garage door opener power head assembly with the infrared sensor facing the reflector. While the Doorminder is in setup mode, it will emit a continuous audible alarm when the infrared sensor is within range and lined up with the reflector. Adjust the unit until it emits the continuous audible alarm. Mark the position of the unit by outlining it with a pencil. (Fig. 3-4)

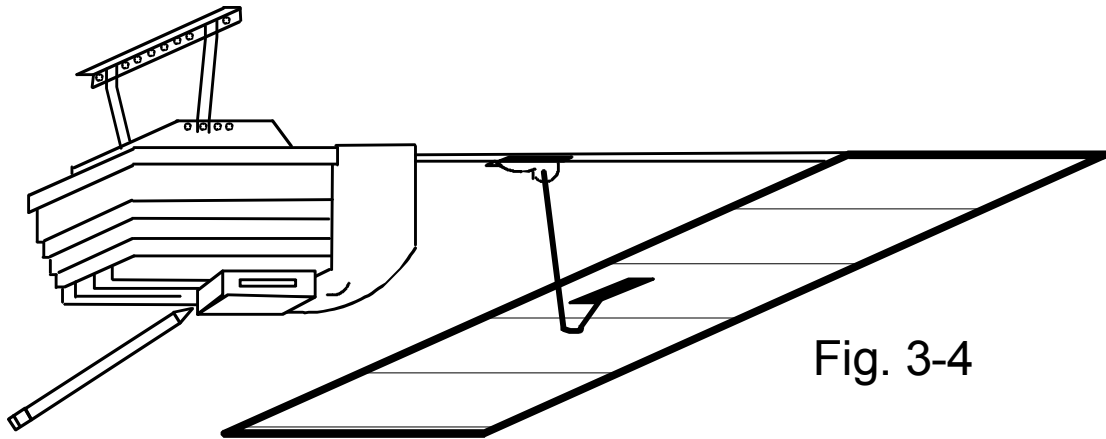


Fig. 3-4

4. Apply Velcro[®] to the Doorminder unit and the garage door opener power head assembly. (Fig. 4-1) *TIP: Apply two parallel strips at the front and back of the outline and the unit.* The industrial strength, temperature resistant adhesive on the Velcro[®] strap is pressure activated. Use your finger to apply pressure and remove air bubbles. The adhesive is 80% cured in 1 hour and 100% cured in 24 hours. The Doorminder unit can be mounted before the adhesive is cured, but care should be exercised not to apply any pressure on the unit that will disturb the adhesive. Attach the Doorminder to the Velcro[®] strapping on the garage door opener. As in step 3, verify that the reflector and system are aligned.

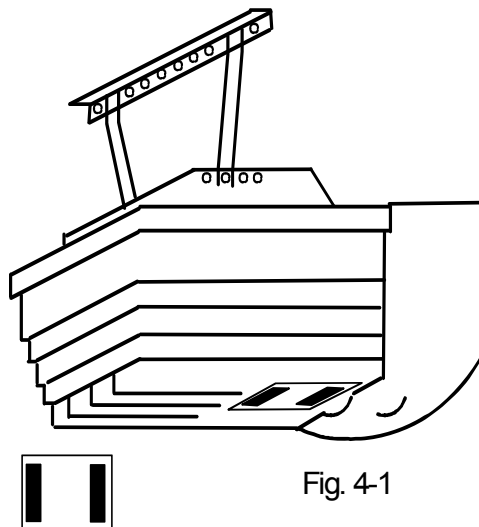


Fig. 4-1

5. **Wire the Doorminder to the garage door opener.** Read your garage door opener manual to determine where the wall button terminals are located on the power head. Strip the wires on one end of item (1). Attach one of the wires of item (1) to each of the screw terminals taking care not to disconnect the wall button wires already attached to the terminals. (**Fig. 5-1**) Approximate the length of the wire needed to connect to the Doorminder unit. Add a little extra length to this approximation and cut the wire. Strip the wires on this end of item (1) and attach one of the wires to each of the screw terminals labeled 'NO' on the Doorminder box. (**Fig. 5-2**)

NOTE: Read carefully and then remove the brightly colored warning label on the side of the Doorminder unit. The 'NO' terminals are under the warning label.

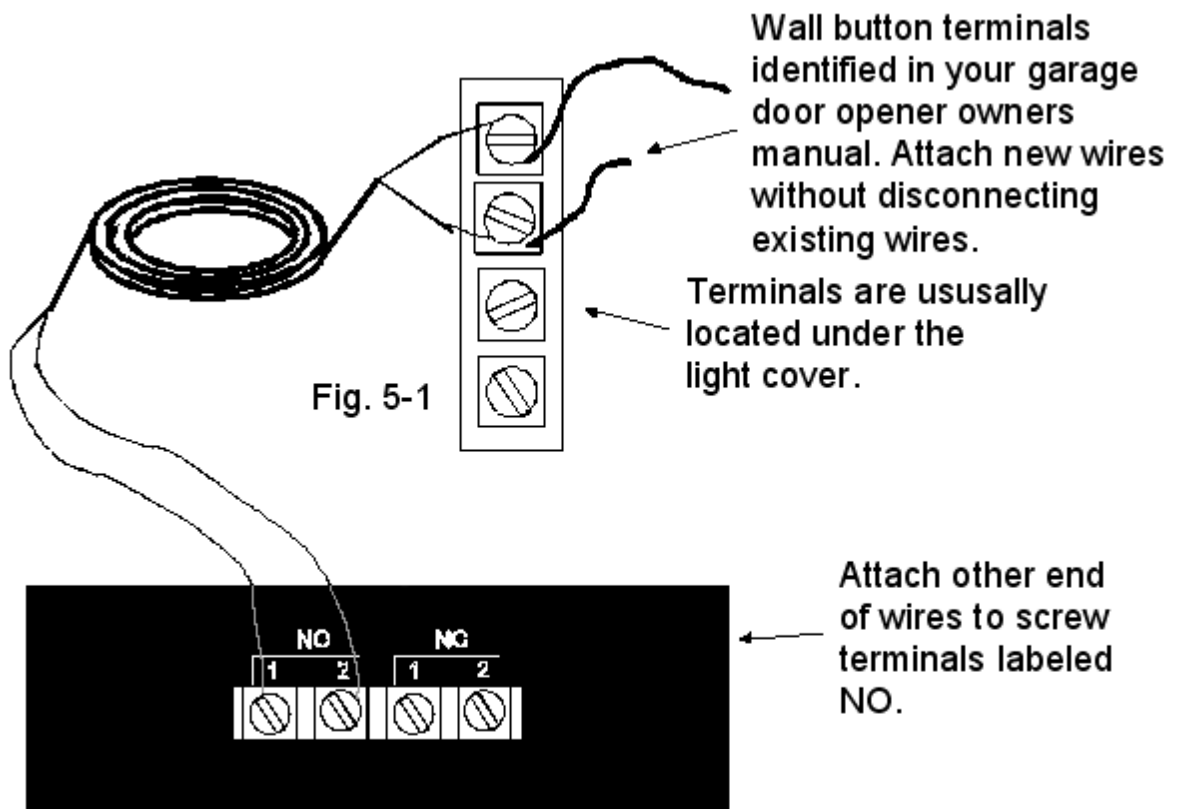
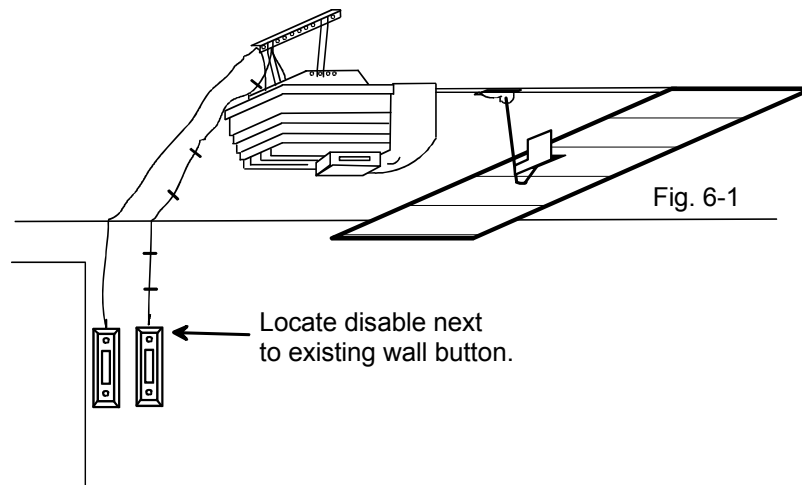


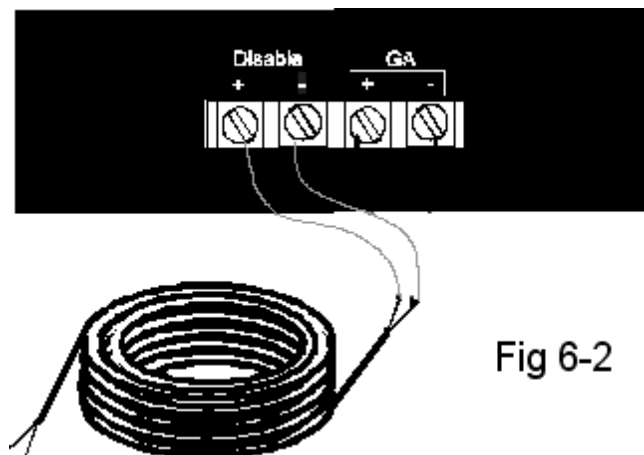
Fig. 5-2

6. **Wire the disable button to the Doorminder.** Locate the disable button next to the garage door opener wall button. Attach one end of each wire, Item (2), to the disable button terminals, Item (8). Attach the disable button to the wall using the provided screws. Run the wire from the disable button to the Doorminder unit, attaching the wire to the wall and ceiling using insulated staples (not included). (**Fig. 6-1**)

TIP: Route the wires through the notch in the disable button case so that it will fit snugly against the wall.



Approximate the length of the wire needed to connect to the Doorminder unit. Add 1 foot to this approximation and cut the wire. Strip the wires on this end of Item (2) and attach one of the wires to each of the screw terminals labeled 'Disable +/-' on the Doorminder unit. (Either wire can be connected to either terminal) (**Fig. 6-2**)



7. **Wire the exterior air switch or motion detector to the Doorminder.** If installing the air switch follow the instructions for **7a**. If installing a motion detector follow the instructions for **7b**.

7a. Air switch installation. Locate the air switch next to the garage door opener's existing photo eye mechanism with the air hose connector facing the door opening. Attach one end of each wire, Item (2) to the normally closed terminals of the air switch, Item (13a). Attach the air switch to the wall using screws (not provided). Run the wire from the air switch to the Doorminder unit, attaching the wire to the wall and ceiling using insulated staples (not included). Approximate the length of the wire needed to connect to the Doorminder unit. Add 1 foot to this approximation and cut the wire. Strip the wires on this end of Item (2) and attach one of the wires to each of the screw terminals labeled 'GA +/-' on the Doorminder unit. (Either wire can be connected to either terminal) (**Fig. 7-1**). Next, route the treadle air hose to the air switch. Measure the garage door opening and trim the length of the air hose so that it runs the distance of the opening when connected to the air switch. Place the air hose plug in one end of the air hose and secure. Attach the other end of the air hose to the air switch and secure. Secure the air hose so that it runs **directly below** the photo eye mechanism.

7b. Motion detector installation. Follow the instructions in the motion detector manual for setup of the motion detector. Locate the motion detector so that its beam intersects with the path of entering/exiting vehicles. Once the motion detector is set up properly, run the wire from the motion detector's normally closed terminals to the Doorminder unit, attaching the wire to the wall and ceiling using insulated staples (not included). Approximate the length of the wire needed to connect to the Doorminder unit. Add 1 foot to this approximation and cut the wire. Strip the wires on this end of Item (2) and attach one of the wires to each of the screw terminals labeled 'GA +/-' on the Doorminder unit. (Either wire can be connected to either terminal) (**Fig. 7-1**)

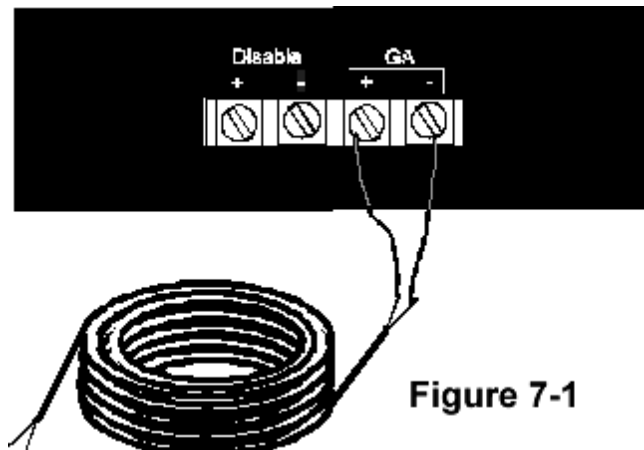


Figure 7-1

8. **Test the Doorminder system.** Plug in the garage door opener.
- A. Switch the system to on. Close then reopen the garage door. As soon as the door is open, the system will start a software timer. The default door closer delay time is 5 minutes. When the timer completes this 5 minute count, the system will begin to emit an audible beep. Thirty seconds after the beeping begins, the door will close.
Note: If using the motion detector, any movement will reset the software timer. If using the air switch, compressing the hose will reset the software timer.
- B. Reopen the door. Press the disable button and then release. The Doorminder will beep twice to indicate that the unit has been placed into ‘temporary disable’. The red disable LED will begin to blink. The door will not automatically close until the system is taken out of disable mode by closing the door. If the unit fails to go into ‘temporary disable’, insure that the reflector is aligned and the air switch or motion detector is properly installed.
Note: The Doorminder will not go into temporary disable if the air switch hose is compressed or if there is motion detected with the motion detector.

!!!WARNING!!!

The disable button is not a safety feature. The disable button will not reverse a door that is moving. If the door is closing and needs to be stopped, the garage door opener button should be pushed! The disable button is intended to temporarily disable the system so that the garage door can be left open. If the power goes out while the unit is in disable mode, the unit will restart in disable mode once the power is restored. To permanently disable the system, turn off the Doorminder using the on/off switch.

TIP- The disable button can be pressed during the audible alarm to reset the timer in order to give additional time before the unit auto closes the garage door. To put the unit in disable mode, press the disable button again.

- C. Press the disable button again. The Doorminder will beep twice while the button is in and six times when it is released in order to indicate that the unit has already been placed in temporary disable. The unit can only be re-enabled by closing the garage door. Press the garage door opener wall button. The Doorminder will beep twice once the door begins to close and the disable light will stop blinking. This indicates that the Doorminder is no longer in ‘temporary disable’. Once the door is closed, press the disable button again. The unit will beep twice while the button is in and six times when it is released to indicate that the door is closed and cannot be placed in ‘temporary disable’ mode.

- D. Open the door. Simulate an obstruction in the doorway by placing a 2X4 across the middle of the door threshold.

!!!WARNING!!!

**STAY AWAY FROM THE DOOR WHILE IT IS CLOSING
THE GARAGE DOOR CAN CAUSE SEVERE INJURY!!!**

When the timer finishes its count, the system will perform the door closing procedure. When the door hits the obstruction, it should return to the open position. The Doorminder will restart its timer and attempt to close the door again. This process will be repeated up to four times. After the Doorminder attempts to close the door the fourth time, the Doorminder will enter 'malfunction disable' mode. Note: the red disable LED will begin to blink and the unit will beep once every 20 seconds. Press the disable button to exit malfunction disable. The Doorminder will beep three times to indicate that it is leaving the malfunction disable mode and returning to normal operational mode.

TIP: To minimize the time required to test, set the Doorminder delay time to fifteen seconds . (see Operation and Programming item (4).)

- E. Open the door. Simulate an obstruction in the doorway by placing a piece of masking tape (non-clear) over one of the photo eye lenses.

**STAY AWAY FROM THE DOOR WHILE IT IS CLOSING
THE GRAGE DOOR CAN CAUSE SEVERE INJURY!!!**

When the timer finishes its count, the system will perform the door closing procedure. The photo eye system should allow the door to move only slightly. The Doorminder will restart its timer and attempt to close the door again. This process will be repeated up to four times. After the Doorminder attempts to close the door the fourth time, the Doorminder will enter 'malfunction disable' mode. Note: the red disable LED will begin to blink and the unit will beep once every 20 seconds. Remove the tape from the photo eye. Press the disable button to exit malfunction disable mode. The Doorminder will beep three times to indicate that it is leaving the malfunction disable mode and returning to normal operational mode.

- F. Test the air switch (if applicable). Open the door to allow the timer to start running. When the timer finishes its count, the system will start sounding an audible alarm. Once the alarm begins, apply sufficient pressure to the air hose to engage the air switch. The audible alarm will stop and the timer will restart.

- G. Test the motion detector (if applicable). Open the door to allow the timer to start running. Be very still and watch the red LED on the motion detector. When the LED on the motion detector stays off and the timer finishes its count, the system will start sounding an audible alarm. Once the alarm begins, create movement in front of the motion detector. The red LED on the motion detector should come on and the audible alarm will stop. The timer will then restart once the motion in front of the detector has stopped.
- H. Test for false reflections. Shut the garage door and switch the unit to 'Set Up' mode. Verify that the beeper does not make any noise. If the beeper is sounding, make sure there is nothing in front of the Doorminder causing false reflections.
- I. Switch the unit to 'On' mode. Installation of your Doorminder unit is complete. Proceed to the Operation and Programming instructions.

OPERATION AND PROGRAMMING

The Doorminder system is ready to operate straight out of the box. Once installed, the unit will automatically close your garage door after the preset software timer has finished its count. The system features are enumerated below.

- 1) Temporary Disable - This disable is intended to temporarily disable the system so that the garage door will not automatically close. This feature can only be utilized when the garage door is fully open and the air switch or motion detector is connected. To activate 'temporary disable', press the disable button when the garage door is open. NOTE: The door must be completely opened in order for the disable button to be recognized. The Doorminder will beep twice indicating that the unit is in 'temporary disable'. The red disable light will begin to blink. To deactivate 'temporary disable', close the garage door. Pressing the disable button a second time while the garage door is open will not deactivate 'temporary disable'. If the disable button is pressed while the unit is in 'temporary disable', the Doorminder will signal the error with two beeps while the button is depressed, followed by six beeps when the button is released. The Doorminder will remember that it is in this mode if the power is interrupted.

Note: The Doorminder will not go into temporary disable if the air switch hose is compressed or if there is motion detected with the motion detector.

TIP- If the garage door is partially closed, the Doorminder will think the door is fully closed and never perform the auto closing function. Because the unit thinks the door is closed, it cannot be put into 'temporary disable'.

- 2) Malfunction Disable - This disable occurs automatically when the garage door fails to close after four consecutive Doorminder attempts. When the unit is in 'malfunction disable' mode, the red disable light will blink and the unit will beep once every 20 seconds. Determine if something is blocking your garage door then re-enable the unit by pressing the disable button. The unit will beep 3 times.
- 3) Auto Close Cancel - The Doorminder can be signaled to cancel the current auto closing operation. When the unit is sounding the audible closing alarm (auto close state), the operation can be cancelled by pressing the disable button or by an actuation of the air switch or motion detector. This will reset the software timer. The unit will immediately begin counting.

!!!WARNING!!!

The auto close cancel feature will not reverse a door that is moving. This feature simply cancels further Doorminder operation. If the door is already closing and it needs to be stopped from closing, the garage door opener button should be pushed!

TIP- The auto close cancel feature can be used whenever the Doorminder begins its continuous warning beeps.

- 4) Set the auto close delay time and warning beep length- The delay time can be set from 15 seconds to 20 minutes and the warning beep length can be set from 10 to 30 seconds. To set these times press and hold the disable button while the unit is in run mode. The unit will initially beep twice. The unit will sound a series of beeps every 5 seconds to signify the delay time that would be set if the disable button were released immediately.

1 beep => 15 second delay time and 10 second warning beep.
2 beeps=> 15 second delay time and 15 second warning beep.
3beeps=> 15 second delay time and 30 second warning beep (min. recommended).
4 beeps=> 30 second delay time and 30 second warning beep.
5 beeps=> 1 minute delay time and 30 second warning beep.
6 beeps=> 2 minute delay time and 30 second warning beep.
7 beeps=> 5 minute delay time and 30 second warning beep.
8 beeps=> 10 minute delay time and 30 second warning beep.
9 beeps=> 15 minute delay time and 30 second warning beep.
10 beeps=> 20 minute delay time and 30 second warning beep.

After reaching 10 beeps, if you have missed the setting you desired, you may release the button and press it again to restart the sequence.

*NOTE: The minimum recommended delay time setting is a 15 second delay time with a 30 second warning beep.

- 5) Doorminder reflector alignment - To align the unit and reflector, switch the unit to setup mode and open the garage door. The system will beep continuously when the reflector is within three feet of, and aligned with, the Doorminder unit. Switch the unit to 'On' mode.
- 6) Air switch operation - The air switch or motion detector must be connected for proper operation. To verify that the air switch is connected and working properly, switch the unit into setup mode. The LED on the back of the unit will be lit if the air switch is not connected. When the hose is compressed the LED will turn on. When the unit is in normal operation, the air switch will reset the timer whenever the door is open and a vehicle drives over the hose. If the air switch becomes disconnected or is continuously activated for a period of 1 minute when the door is open, all automatic closing functions will stop and the unit will beep twice every ten seconds as an error indication.
- 7) Motion detector operation - The motion detector or the air switch must be connected for proper operation. To verify that the motion detector is connected and working properly, switch the unit into setup mode. The LED on the back of the unit will be lit when the LED on the motion detector is ON (there is motion present). When there is no motion present the LED on the motion detector and the LED on the Doorminder will both be off. When the unit is in normal operation, the motion detector will reset the timer whenever the door is open and there is motion present. If the motion detector becomes disconnected or there is continuous motion detected for a period of 1 minute when the door is open, all automatic closing functions will stop and the unit will beep twice every ten seconds as an error indication.

TROUBLE SHOOTING GUIDE

Please read this section carefully if your Doorminder does not function correctly.

<p>The unit does not beep or beeps intermittently when aligning the reflector while in setup mode</p>	<p>STEP 1</p> <ol style="list-style-type: none">1) Make sure the switch is in the center position (setup mode).2) Place hand about 6 inches in front of the infrared sensors. Does the Doorminder beep?<ul style="list-style-type: none">• Yes- Re-align the reflector and make sure it is within three feet of the Doorminder when the garage door is open.• No- Check the receptacle plug for power by plugging in another device into the outlet .Go to Step 2. <p>STEP 2</p> <p>Does the electrical outlet work?</p> <ul style="list-style-type: none">▪ Yes- Please Contact Xceltronix, Inc. for possible warranty service.▪ No- Fix Electrical outlet.
<p>After the door has been open for the set delay time, the unit does not beep.</p>	<p>STEP 3</p> <p>Is the garage door fully open?</p> <ul style="list-style-type: none">▪ No- Open garage door and recheck.▪ Yes- Go to Step 4.

STEP 4

Press and release the Disable button while the unit is on. Does the unit beep twice?

- **No-** Go to Step 1 and re-align the reflector. If the reflector is aligned double check the air switch or motion detector connections and operation as instructed in the Operation and Programming section. *Note: The Doorminder will not go into temporary disable if motion is present, when using the motion detector.*
- **Yes-** Go to Step 5

STEP 5

1) Are you sure you are waiting the full delay time?

- **No-** Press and hold the Disable button. The unit will beep twice initially, then after 5 seconds it will beep once. Release the disable button. This sets the delay time to 15 seconds.
- **Yes-** Go to Step 6

2) Retest Doorminder function and wait the full 15 seconds. Does the unit work?

- **No-** Go to Step 6
- **Yes-** Unit is working

	<p>STEP 6</p> <ol style="list-style-type: none">1) Disconnect unit from the garage door opener.2) Plug it in to any wall outlet.3) Hold the unit about a foot away from the wall and switch it to 'setup'. It should continually beep.4) Connect the two GA terminals together with a small piece of wire.5) Switch it to 'on'.6) Hold the unit about a foot away from the wall.7) Wait for the delay timer to complete it's count (Remember to keep holding the unit facing the wall. If the unit doesn't think the reflector is in the open position, it will not go into closer mode.) The unit should begin beeping after the delay timer finishes it's count.8) Unit begins to beep?<ul style="list-style-type: none">▪ Yes- Unit is working. Follow all installation steps.▪ No- Please Contact Xceltronix, Inc. for possible warranty service.

LIMITED LIFETIME WARRANTY

What does the warranty cover? Any defect in parts and product workmanship that arises from normal household use in accordance with the Installation Manual and User's Guide.

How long does the warranty last? Parts are warranted for life* and labor is warranted for 90 days from the date of purchase.

*Lifetime warranty only applies to the original owner. The product must be registered using the form at the end of this manual or the original proof of purchase must be shown to receive warranty service.

Who gets the warranty? This warranty is limited to the consumer who originally purchased the product.

How does the warranty service work? If the Doorminder is defective, we will repair or, at our option, replace it. If we repair your product, we may use new or reconditioned replacement parts. If we choose to replace your Doorminder, we may replace it with a new or reconditioned unit of the same or similar design. During the first 90 days from the date of purchase, all parts and labor are free of charge. After the first 90 days from the date of purchase, all parts are free and a nominal diagnosis charge will be collected for labor.

How is warranty service obtained? We suggest that you retain your original packing materials in the event you need to ship your Doorminder. Ship the unit to:

Xceltronix, Inc.
Attn: Warranty Service Dept.
1226 Exchange Drive
Richardson, TX 75081

Include your name, address, telephone number, proof of date and place of purchase, and a description of the problem. If you contact Xceltronix, Inc. or mail the unit after the first 90 days from the date of purchase, you will be charged a bench fee of \$25.00 to repair or, at our option, replace the unit.

What does the warranty not cover? This warranty does not cover installation, defects resulting from accidents, misuse or abuse, unauthorized repair or modification, fire, flood, other natural disasters or acts of war.

FAQ

1. Can I have my unit professionally installed? Xceltronix, Inc. is partnering with local professional garage door installers to provide set pricing on professional inspection and installation. Please go to <http://www.autocloser.com> for a list of approved installers.
2. Why does my garage door opener need to be fully consumer product safety commission compliant in order to be used with the Doorminder? The Doorminder relies on safety features mandated by congress, and detailed by the consumer products safety commission, in order to protect your home and family from accidents related to garage doors.
3. When adjusting the reflector, should the unit beep continuously when the door reflector is aligned? Yes, the unit will continually beep if the door is fully open, the reflector is aligned and the unit is in setup mode.
4. What happens if I push the garage door opener wall button while the door is closing? The Doorminder will attempt to close your garage door up to four times. If you push the wall button while the door is closing, the door will either stop closing or reverse and re-open. The Doorminder will then check to see if the door closed. If the door stops and is far enough away from the door detector, the Doorminder will think the door is shut and transition to monitor mode. If the door re-opens, the Doorminder will detect the open door and attempt to close it again. If the garage door remains open after four consecutive attempts to close the door, the unit will transition to malfunction disable mode due to the door failure. The disable button must then be pushed in order to put the Doorminder back into monitor mode.
5. Will pressing the disable button stop a garage door that is already moving? The disable button WILL NOT stop a moving garage door. Press the garage door opener wall control button to reverse a moving garage door. The disable button only affects the Doorminder, not the garage door opener.
6. I returned home to find my garage door open. Why did my Doorminder fail to close my garage door? If you hear a beep once every 20 seconds and find the disable LED blinking, the unit did attempt to close the door. The Doorminder will attempt to close your garage door 4 times. Reasons why the door might re-open include binding door wheels or an obstruction in the path of the door. The Doorminder may have attempted to close the door but failed due to the previous reasons. The Doorminder does not interfere with the mandatory safety features included on modern garage door openers. Re-enable the Doorminder by pressing the disable button. If the LED is on and the unit is beeping twice every 10 seconds the air switch or the motion detector is not connected or has malfunctioned.

7. Do I have to install the disable button? Yes, while the unit will work without the disable button installed, it is needed to re-enable the system after a malfunction. The disable is also a convenient way to temporarily disable the unit without turning it off.

8. Does my unit come with a warranty? Yes, we are pleased to offer you a limited lifetime warranty. Read the warranty section of this manual for full details. In order to obtain warranty service you must provide proof of the date and place of purchase of the product. To insure this, fill in and mail the warranty card at the end of this manual. Include a copy of your sales receipt with the date of purchase.

REPLACEMENT PARTS

To order replacement parts visit our website at:

www.autocloser.com

Or contact us:



Xceltronix, Inc.
1226 Exchange Drive
Richardson, TX 75081
1-877-748-8366 (1-877-SHUTDOOR)
or 972-437-9393

Doorminder Warranty

First Name

Last Name

Address

City

State

Zip Code

Phone #

Email Address

Date of Purchase

Limited Lifetime Warranty: read the warranty section
in the Installation Manual and User's Guide for details.

Please mail to:

Xceltronix, Inc.
1226 Exchange Drive
Richardson, TX 75081